

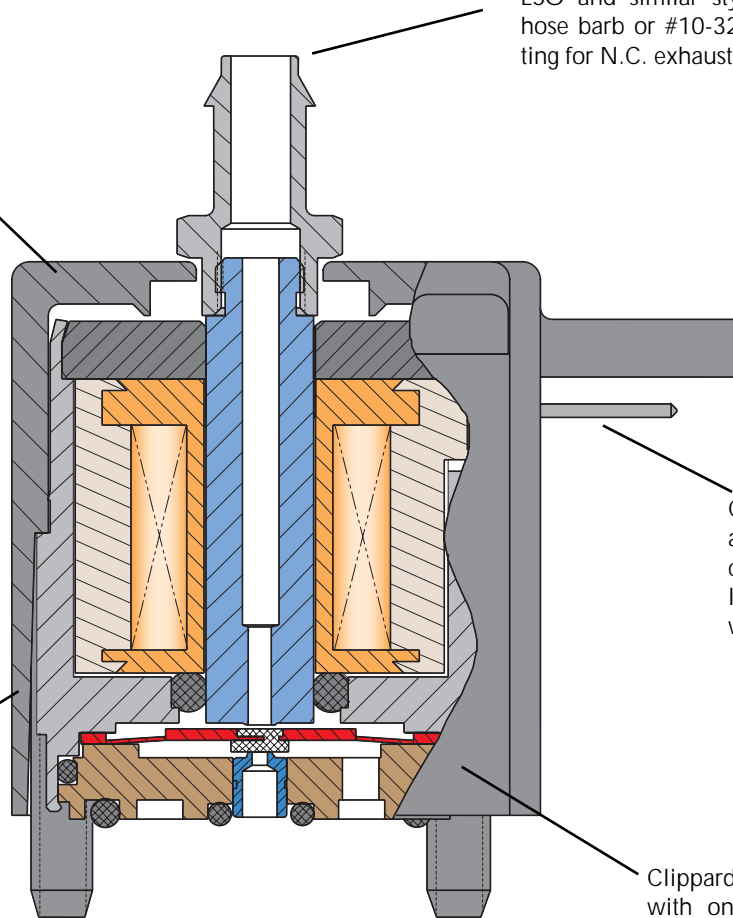


ES, ESO SERIES COMPACT VALVES

Valves are small in size with a variety of coil voltages and flow options. Mounting is as close as 7/8" on center.

Housing is molded Zytel ST 801 for toughness and rigidity.

ESO and similar styles have top hose barb or #10-32 threaded fitting for N.C. exhaust or N.O. inlet.



Valves feature low power, cool running, quiet operation and fast response time. They convert low voltage, low current signals into high pressure pneumatic outputs.

Coils are available with an AMP# 103959-2 pin connection or 18" wire leads which utilize #26 wire.

Clippard ES valves are unique, with only one internal moving part that travels a mere 0.007 inches.